



Producer: **Copeland**
 Line: **ZR**
 Model: **ZR22K3E-PFJ**
 Cooling capacity [kW]: **2.55**
 Heat rejection [kW]: **3.90**
 Displacement [m³/h]: **5.3**
 Refrigerant: **R22, R134a, R407C**
 Capacity control: **None**
 Power supply: **230V/1Ph/50Hz**

Data

Technical data

Displacement	[m ³ /h]	5.3
Oil charge	[l]	1.00
Oil type		POE RL32-3MAF
Internal free volume	[dm ³]	2.9
Net weight	[kg]	22.00
Gross weight	[kg]	26.00

Electrical data and limits

Power supply		230V/1Ph/50Hz
Maximum continuous current	[A]	11.4
Locked rotor amperage	[A]	47.0
Motor resistance main	[Ω]	1.62
Motor resistance start	[Ω]	2.85
Maximum suction pressure	[bar]	20.0
Maximum discharge pressure	[bar]	29.5
Maximum suction temperature	[°C]	50.0

Dimensions

Suction tube diameter	[inch]	3/4
Discharge tube diameter	[inch]	1/2
Length	[mm]	242
Height	[mm]	363
Width	[mm]	242

Other

Approved refrigerants	R22, R134a, R407C
Allowed oil types	POE RL32-3MAF, POE MOBIL EAL Arctic 22 CC
Capacity control	None
Protection rating	IP21 (IEC34)

Performance

Nominal conditions: refrigerant: R407C, evaporation: -10°C (dew point), condensation: 45°C (dew point), superheating: 10K, subcooling: 0°C

Cooling capacity

		Evaporation temperature [°C]									
		-20	-15	-10	-5	0	5	7	10	12.5	15
Condensation temperature [°C]	30	1.92	2.46	3.11	3.88	4.78	5.82	6.28	7.02	7.69	8.40
	35	1.79	2.31	2.94	3.68	4.54	5.54	5.99	6.70	7.34	8.03
	40	1.65	2.15	2.75	3.45	4.28	5.24	5.67	6.35	6.97	7.62
	45		1.98	2.55	3.21	4.00	4.91	5.32	5.97	6.56	7.19
	50			2.33	2.96	3.70	4.56	4.95	5.57	6.12	6.72
	55				2.70	3.39	4.20	4.56	5.14	5.66	6.23
	60					3.06	3.81	4.15	4.69	5.18	5.71
	65					2.73	3.42	3.73	4.23	4.68	5.18
	67						3.26	3.55	4.04	4.48	4.96

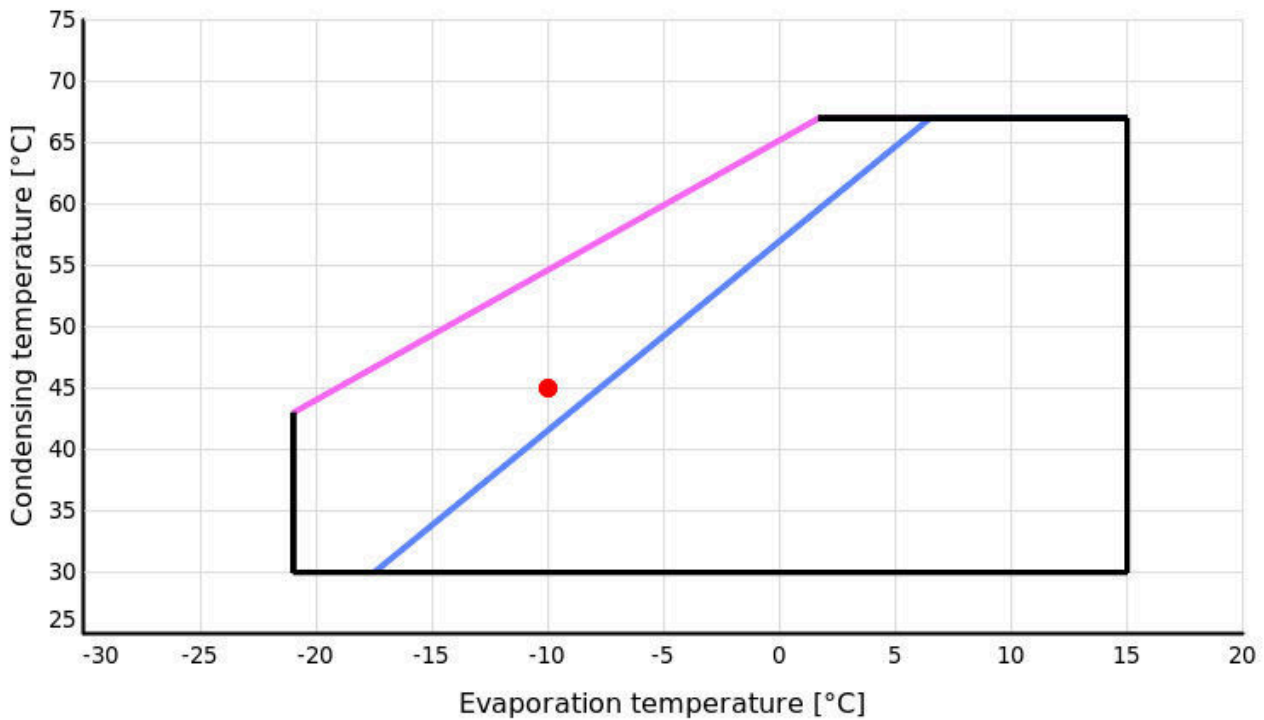
Heat rejection

		Evaporation temperature [°C]									
		-20	-15	-10	-5	0	5	7	10	12.5	15
Condensation temperature [°C]	30	2.88	3.42	4.06	4.82	5.71	6.73	7.18	7.90	8.55	9.24
	35	2.87	3.39	4.01	4.74	5.59	6.57	7.01	7.71	8.33	9.00
	40	2.86	3.36	3.95	4.64	5.46	6.40	6.82	7.49	8.09	8.73
	45		3.35	3.90	4.56	5.33	6.22	6.62	7.26	7.83	8.45
	50			3.87	4.48	5.20	6.05	6.42	7.02	7.57	8.15
	55				4.43	5.10	5.88	6.23	6.80	7.31	7.85
	60					5.02	5.74	6.06	6.58	7.06	7.57
	65					4.98	5.62	5.91	6.39	6.83	7.30
	67						5.59	5.87	6.32	6.74	7.20

Power consumption

		Evaporation temperature [°C]									
		-20	-15	-10	-5	0	5	7	10	12.5	15
Condensation temperature [°C]	30	1.01	1.01	1.00	0.99	0.98	0.96	0.95	0.93	0.91	0.88
	35	1.13	1.13	1.12	1.12	1.10	1.08	1.07	1.06	1.04	1.02
	40	1.28	1.27	1.26	1.25	1.24	1.22	1.21	1.20	1.18	1.17
	45		1.44	1.43	1.41	1.40	1.38	1.37	1.36	1.34	1.33
	50			1.62	1.60	1.58	1.56	1.55	1.54	1.52	1.51
	55				1.83	1.80	1.77	1.76	1.75	1.73	1.71
	60					2.06	2.03	2.01	1.99	1.97	1.95
	65					2.37	2.32	2.30	2.28	2.26	2.23
	67						2.45	2.43	2.41	2.38	2.36

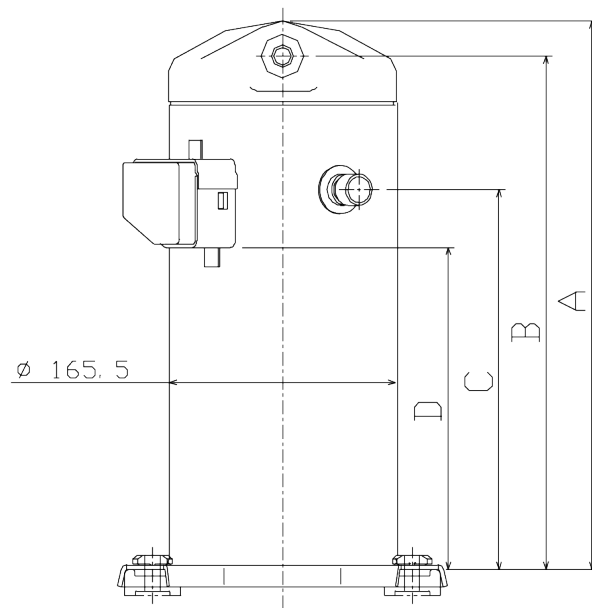
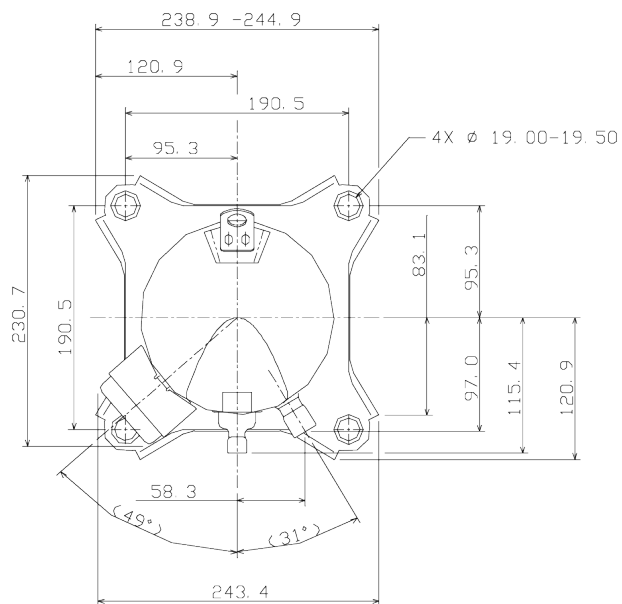
Application range



Legend

- Suction gas superheating: 10 K, ASERCOM certified
- Suction gas temperature: 25°C

Dimensions



Dimensions

Dimension A	[mm]	363
Dimension B	[mm]	338,4
Dimension C	[mm]	244,6
Dimension D	[mm]	202,4